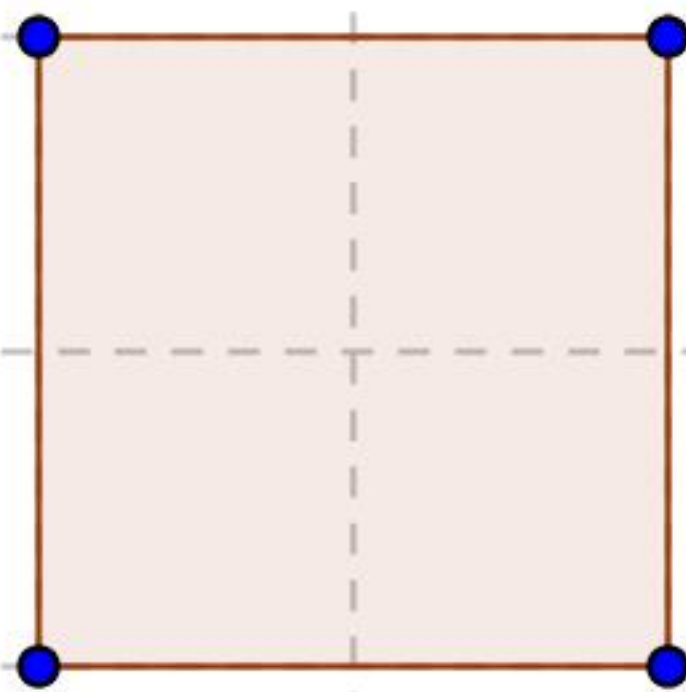


(1.02, 13.92)

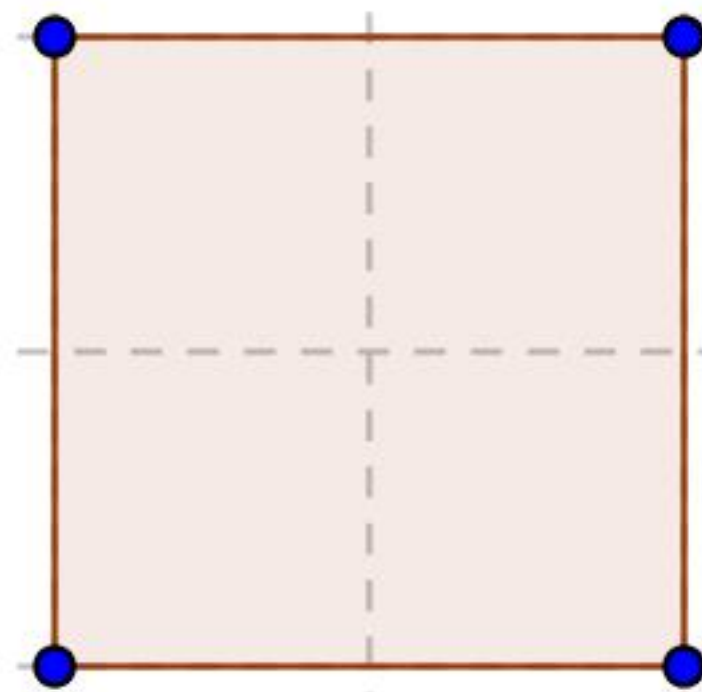


(26.62, 1.02)

(1.02, 13.92)

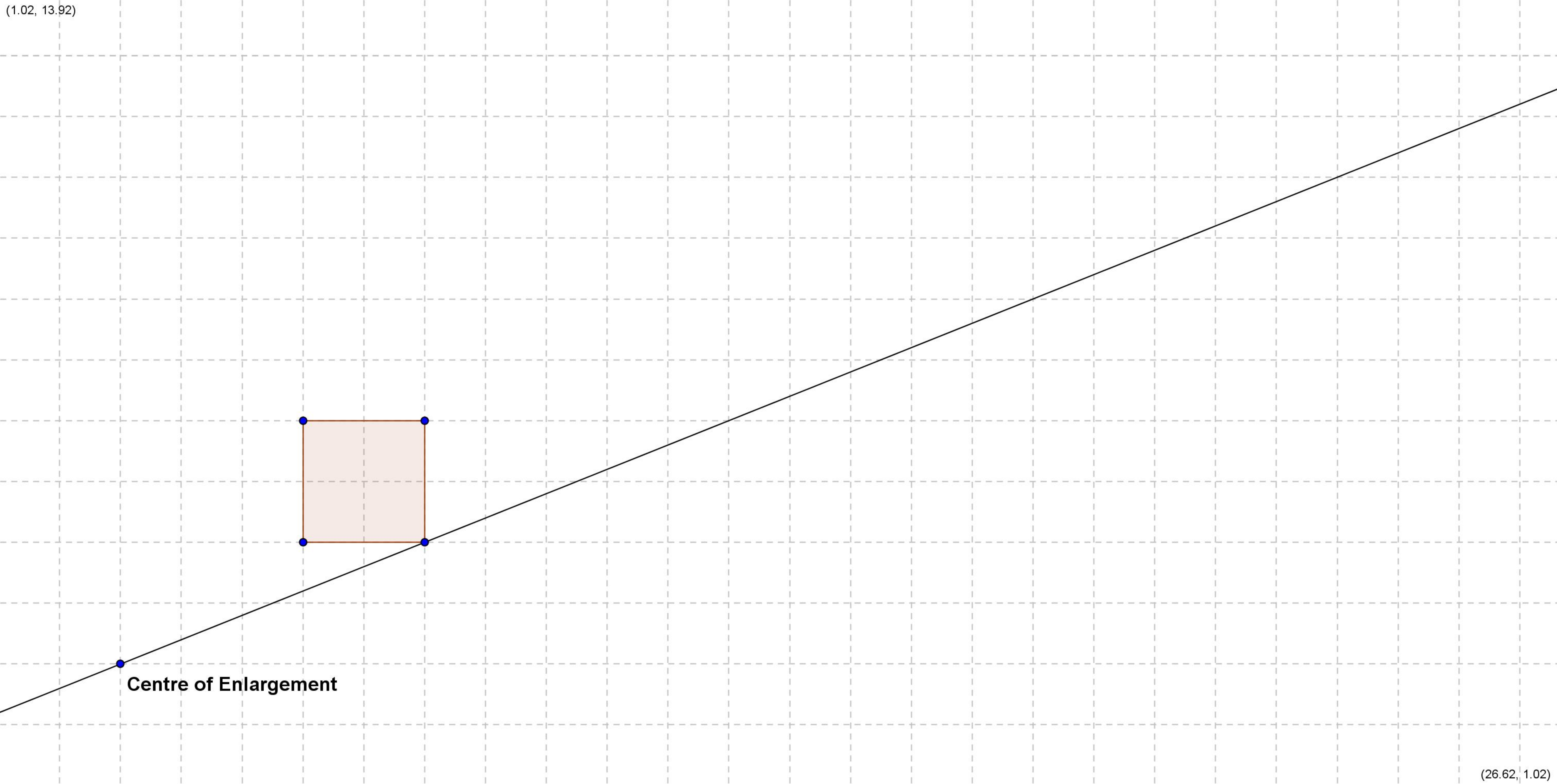


Centre of Enlargement



(26.62, 1.02)

(1.02, 13.92)



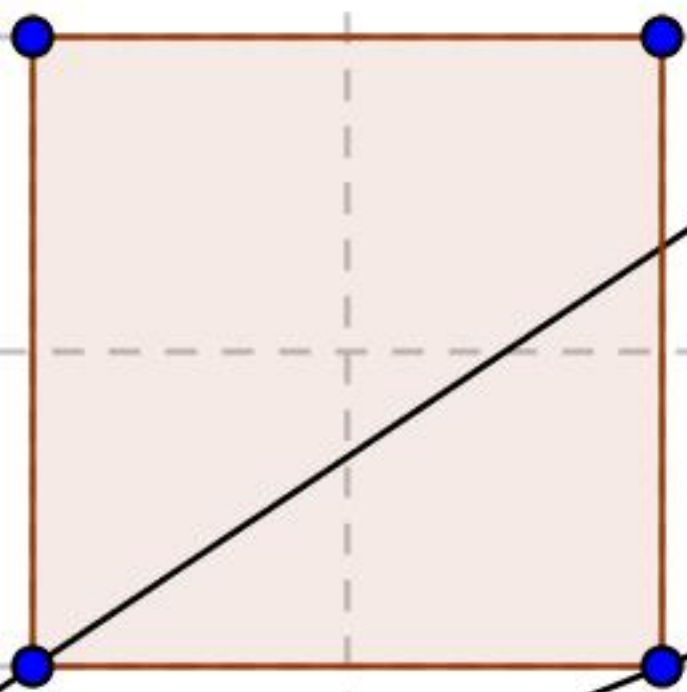
Centre of Enlargement

(26.62, 1.02)

(1.02, 13.92)



Centre of Enlargement

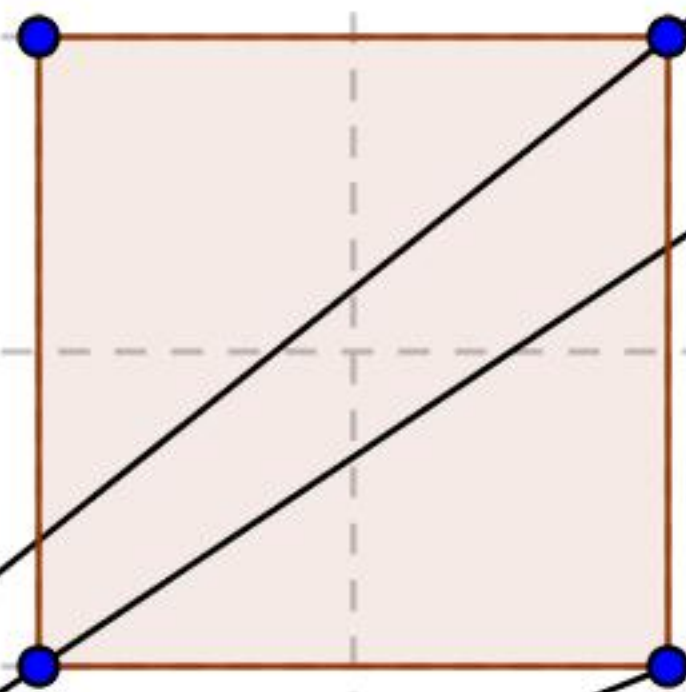


(26.62, 1.02)

(1.02, 13.92)



Centre of Enlargement

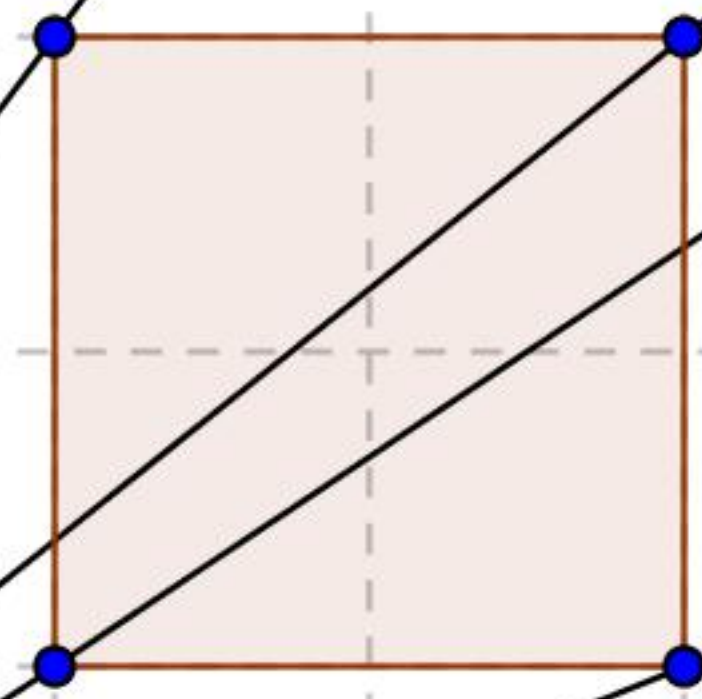


(26.62, 1.02)

(1.02, 13.92)

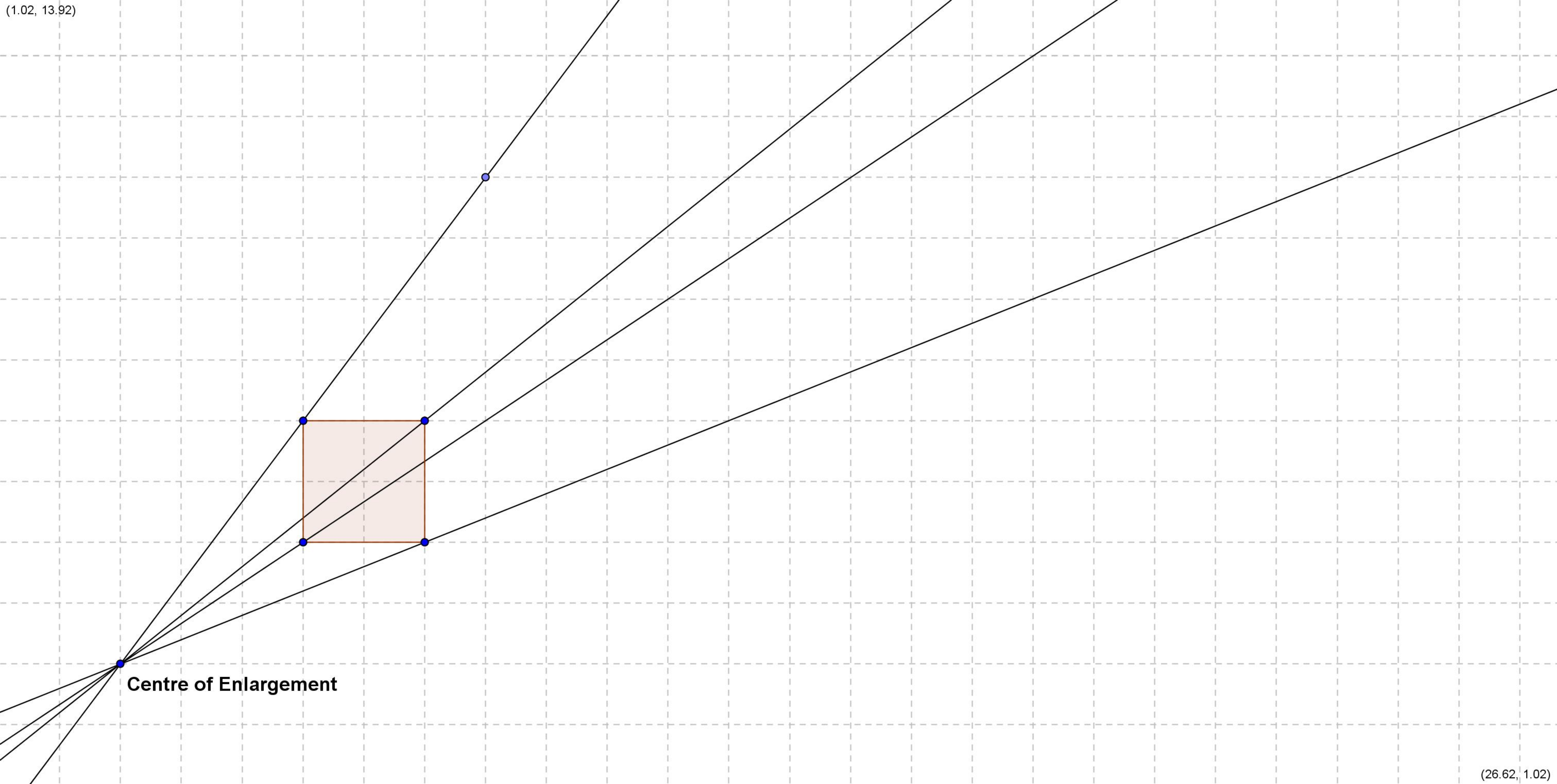


Centre of Enlargement



(26.62, 1.02)

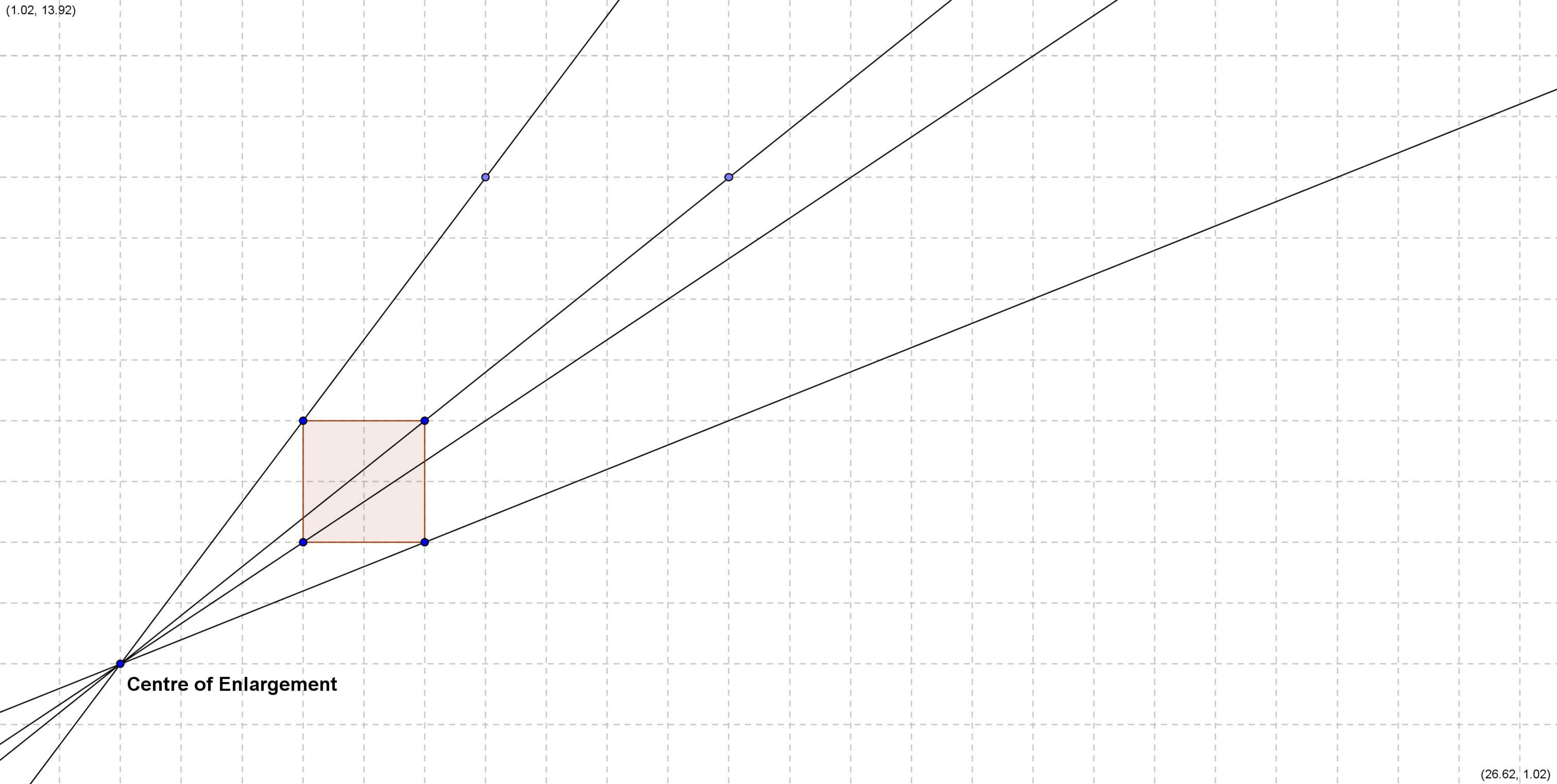
(1.02, 13.92)



Centre of Enlargement

(26.62, 1.02)

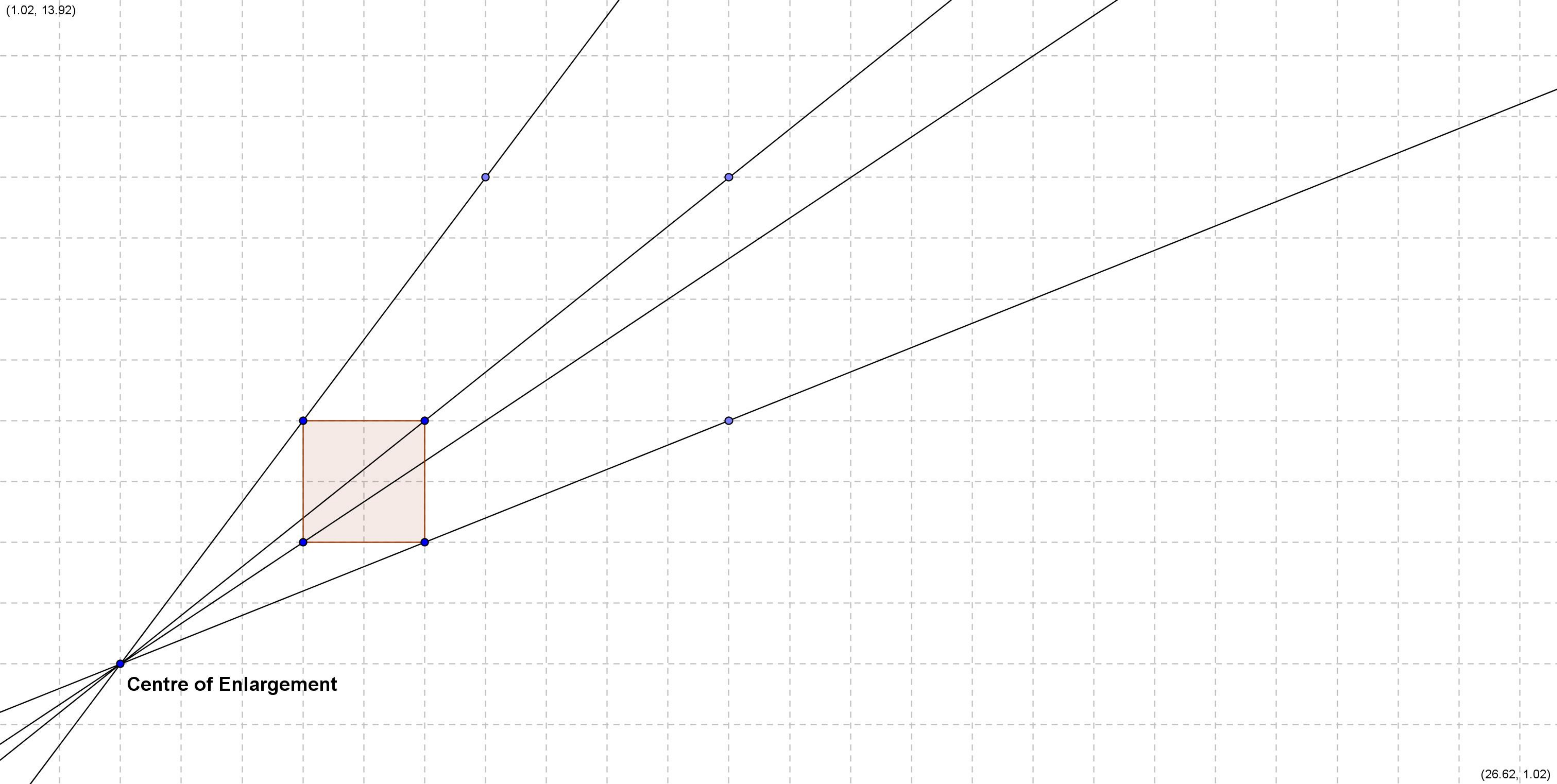
(1.02, 13.92)



Centre of Enlargement

(26.62, 1.02)

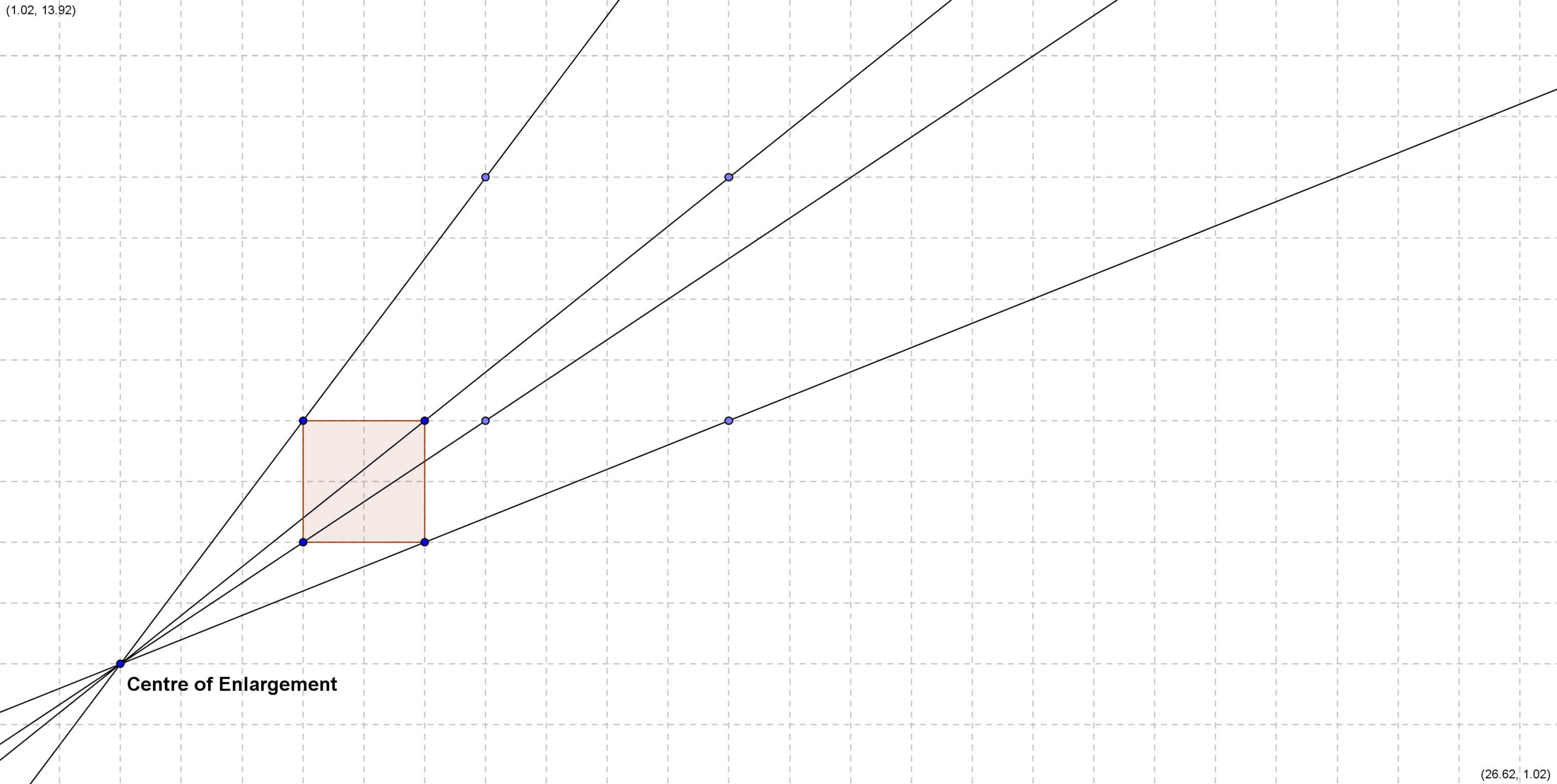
(1.02, 13.92)



Centre of Enlargement

(26.62, 1.02)

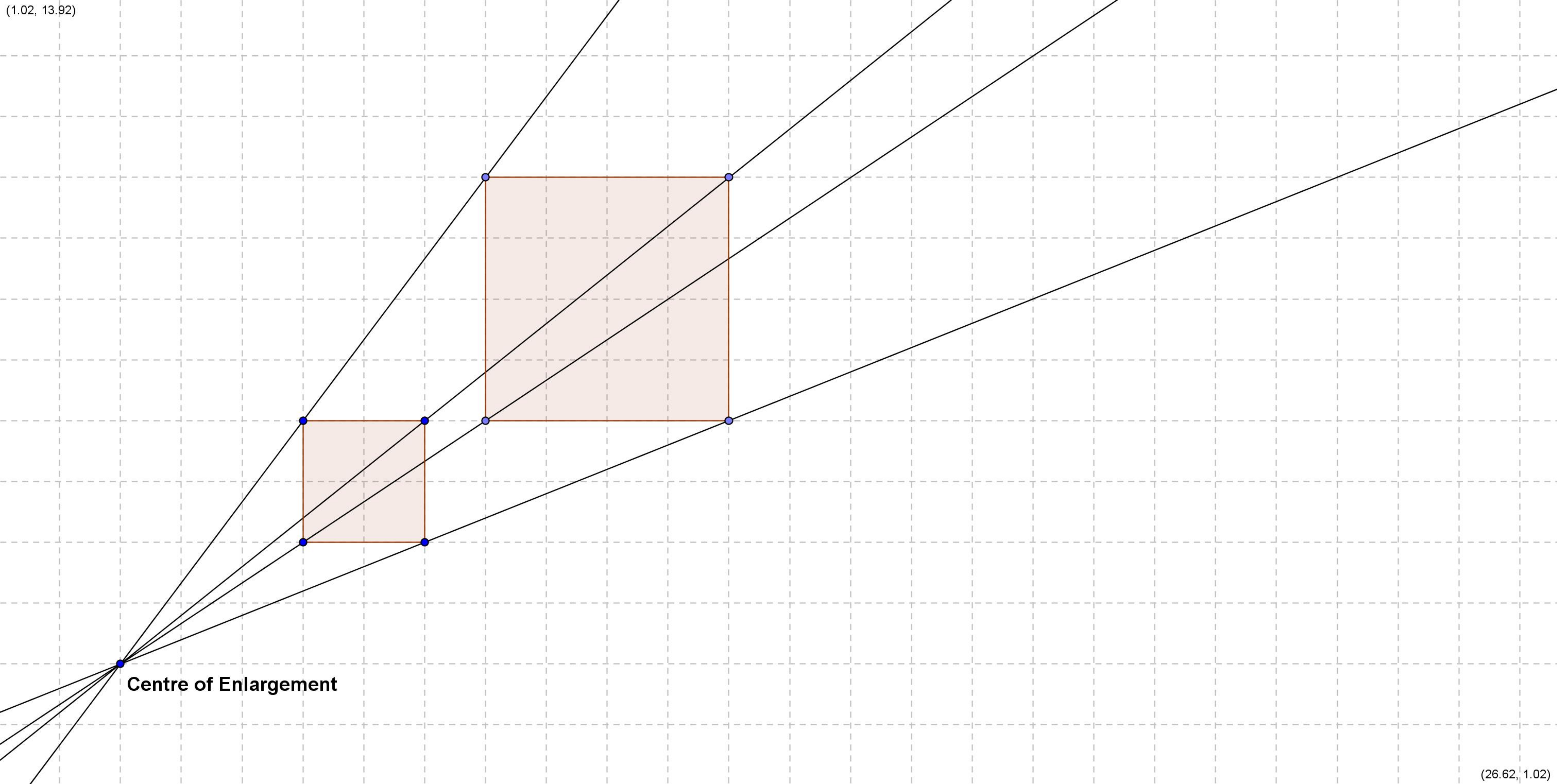
(1.02, 13.92)



Centre of Enlargement

(26.62, 1.02)

(1.02, 13.92)



Centre of Enlargement

(26.62, 1.02)